



PRE-RINSE UNITS COMMERCIAL KITCHEN FAUCETS HOSE REELS



POWERLINE EQUIPMENT COMPANY

Pulaski Street, Norwalk, CT 06851 USA

www.powerlineequip.com

Email: sales@powerlineequip.com



P-113-B

1. Deck mounted type
2. Single Hole, Hot & Cold water, 8" centers, SS304 Pre-rinse Faucet, Brass body
3. 19.7" (500 mm) riser
4. 37.5" (950 mm) flexible stainless steel hose + spray valve + finger hook
5. 11.4" (290 mm) wall bracket (Can be cut to any size)
6. The product includes check valve to prevent cross-flow
7. The faucet has passed the EN 200 and EN 817 tests



P-113-ADF12-B

1. Deck mounted type
2. Single Hole, Hot & Cold water, 8" centers, add-on faucet with 12" swing nozzle, SS304 Pre-rinse Faucet, Brass body
3. 19.7" (500 mm) + 2" (50 mm) riser
4. 37.5" (950 mm) flexible stainless steel hose + spray valve + finger hook
5. 11.4" (290 mm) wall bracket (Can be cut to any size)
6. The product includes check valve to prevent cross-flow
7. The faucet has passed the EN 200 and EN 817 tests



P-133-B

1. Wall mounted type, 8" (203 mm) centers
2. Double Hole, Hot & Cold water, SS304 Pre-rinse Faucet, Brass body
3. 19.7" (500 mm) riser
4. 37.5" (950 mm) flexible stainless steel hose + spray valve + finger hook
5. 11.4" (290 mm) wall bracket (Can be cut to any size)
6. The product includes check valve to prevent cross-flow
7. The faucet has passed the EN 200 and EN 817 tests



P-133-ADF12-B

1. Wall mounted type, 8" (203 mm) centers
2. Double Hole, Hot & Cold water, add-on faucet with 12" swing nozzle, SS304 Pre-rinse Faucet, Brass body
3. 19.7" (500 mm) riser + 2" (50 mm) riser
4. 37.5" (950 mm) flexible stainless steel hose + spray valve + finger hook
5. 11.4" (290 mm) wall bracket (Can be cut to any size)
6. The product includes check valve to prevent cross-flow
7. The faucet has passed the EN 200 and EN 817 tests



P-123-B

1. Deck mounted type, 8" (203 mm) centers
2. Double Hole, Hot & Cold water, SS304 Pre-rinse Faucet, Brass body
3. 19.7" (500 mm) riser
4. 37.5" (950 mm) flexible stainless steel hose + spray valve + finger hook
5. 11.4" (290 mm) wall bracket (Can be cut to any size)
6. The product includes check valve to prevent cross-flow
7. The faucet has passed the EN 200 and EN 817 tests



P-123-ADF12-B

1. Deck mounted type, 8" (203 mm) centers
2. Double Hole, Hot & Cold water, add-on faucet with 12" swing nozzle, SS304 Pre-rinse Faucet, Brass body
3. 19.7" (500 mm) + 2" (50 mm) riser
4. 37.5" (950 mm) flexible stainless steel hose + spray valve + finger hook
5. 11.4" (290 mm) wall bracket (Can be cut to any size)
6. The product includes check valve to prevent cross-flow
7. The faucet has passed the EN 200 and EN 817 tests



P-2290

1. Deck mounted type, 4" (101 mm) centers
2. Double Hole, Hot & Cold water, SS304 Pre-rinse Faucet, Brass body
3. 19.7" (500 mm) riser
4. 37.5" (950 mm) flexible stainless steel hose + spray valve + finger hook
5. 11.4" (290 mm) wall bracket (Can be cut to any size)
6. The product includes check valve to prevent cross-flow
7. The faucet has passed the EN 200 and EN 817 tests



P-2290-ADF12-B

1. Deck mounted type, 4" (101 mm) centers
2. Double Hole, Hot & Cold water, add-on faucet with 12" swing nozzle, SS304 Pre-rinse Faucet, Brass body
3. 19.7" (500 mm) + 2" (50 mm) riser
4. 37.5" (950 mm) flexible stainless steel hose + spray valve + finger hook
5. 11.4" (290 mm) wall bracket (Can be cut to any size)
6. The product includes check valve to prevent cross-flow
7. The faucet has passed the EN 200 and EN 817 tests



PRE-RINSE UNITS



P-2285-B

1. Deck mounted type
2. Single hole, single temperature (cold), SS304 Pre-rinse Faucet, Brass body
3. 19.7" (500mm) riser
4. 37.5" (950mm) flexible stainless steel hose + spray valve + finger hook
5. 11.4" (290mm) wall bracket (Can be cut to any size)
6. The product includes check valve to prevent cross-flow
7. The faucet has passed the EN 200 and EN 817 tests



P-2285-ADF12-B

1. Deck mounted type, 8" (203mm) centers
2. Single hole, single temperature (cold), add-on faucet with 12" swing nozzle, SS304 Pre-rinse Faucet, Brass body
3. 19.7" (500mm) + 2" (50mm) riser
4. 37.5" (950mm) flexible stainless steel hose + spray valve + finger hook
5. 11.4" (290mm) wall bracket (Can be cut to any size)
6. The product includes check valve to prevent cross-flow
7. The faucet has passed the EN 200 and EN 817 tests



P-107

Spray head, 1.15GPM@60psi, Chrome plated brass, Blue head & trigger



P-107-SW

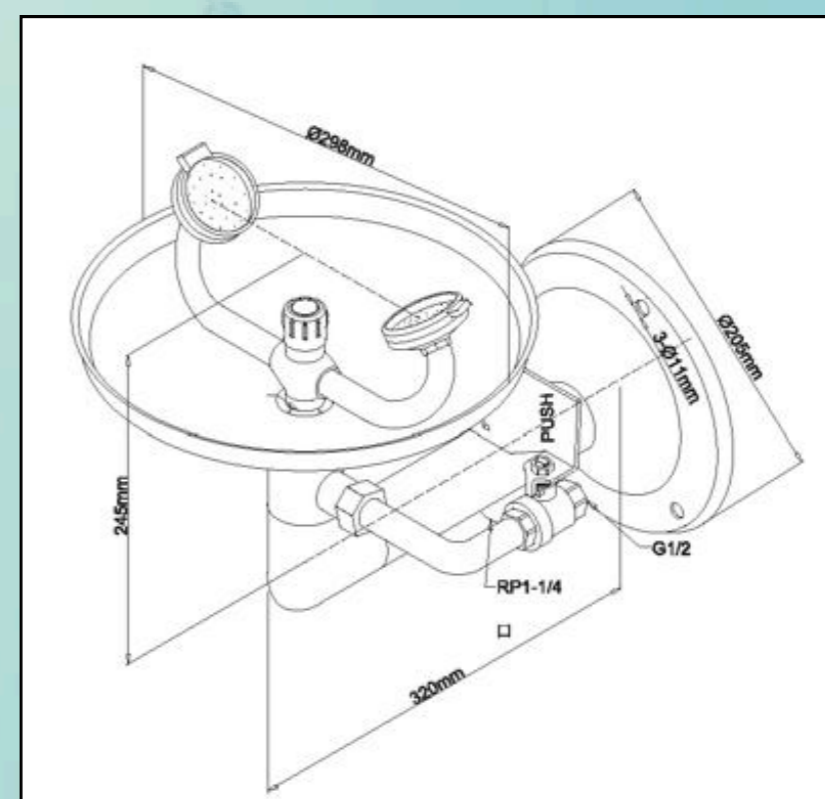
Spray head, narrow 1.07GPM@60psi, Chrome plated brass, Blue head & trigger

EYE WASH



EW-7360P

Wall mounted eye/ face wash, stainless steel receptor





P-0113-MINI

1. Deck mounted type
2. Single hole (hot and cold)
3. Easy install and heavy duty construction
4. 3.7" (95 mm) riser
5. 17.7" (450 mm) flexible stainless steel hose + spray valve + finger hook
6. 11.4" (290 mm) wall bracket (Can be cut to any size)
7. Maximum height 22" (560 mm)
8. The product includes check valve to prevent cross-flow
9. The faucet has passed the EN 200 and EN 817 tests



P-0113-ADF10-MINI

1. Deck mounted type
2. Single hole (hot and cold)
3. Easy install add-on faucet with 10" swing nozzle
4. 3.7" (95 mm) + 2" (50 mm) riser
5. 17.7" (450 mm) flexible stainless steel hose + spray valve + finger hook
6. 11.4" (290 mm) wall bracket (Can be cut to any size)
7. Maximum height 25.8" (655 mm)
8. The product includes check valve to prevent cross-flow
9. The faucet has passed the EN 200 and EN 817 tests



P-2285-MINI

1. Deck mounted type
2. Single hole, single temperature (cold)
3. Easy install and heavy duty construction
4. 3.7" (95 mm) riser
5. 17.7" (450 mm) flexible stainless steel hose + spray valve + finger hook
6. 11.4" (290 mm) wall bracket (Can be cut to any size)
7. Maximum height 21.8" (555 mm)
8. The product includes check valve to prevent cross-flow
9. The faucet has passed the EN 200 and EN 817 tests



P-2285-ADF10-MINI

1. Deck mounted type
2. Single hole, single temperature (cold)
3. Easy install add-on faucet with 10" swing nozzle
4. 3.7" (95 mm) + 2" (50 mm) riser
5. 17.7" (450 mm) flexible stainless steel hose + spray valve + finger hook
6. 11.4" (290 mm) wall bracket (Can be cut to any size)
7. Maximum height 25.6" (650 mm)
8. The product includes check valve to prevent cross-flow
9. The faucet has passed the EN 200 and EN 817 tests



DOUBLE FAUCETS



P-0232-8

1. Wall-mounted pantry faucet
2. 8" (203mm) centers
3. Dual hole (hot and cold)
4. Swing nozzle with 8" (203mm) length
5. Body: 304 stainless steel



P-0221-10

P-0221-12

1. Deck-mounted pantry faucet
2. 8" (203mm) centers
3. Dual hole (hot and cold)
4. Swing nozzle with 12" (305mm) length
5. Body: 304 stainless steel



P-0201

1. Deck-mounted pantry faucet
2. Single hole (hot and cold)
3. Swing nozzle with 12" (305mm) length
4. Lever handle
5. Body: 304 stainless steel



P-0225

1. Deck-mounted pantry faucet
2. 4" (102mm) centers
3. Dual hole (hot and cold)
4. Swing nozzle with 12" (305mm) length
5. Body: 304 stainless steel



P-1113

1. Deck-mounted workboard faucet
2. 4" (102mm) centers
3. Dual hole (hot and cold)
4. Swing nozzle with 12" (305mm) length
5. Body: 304 stainless steel



P-1123

1. Deck-mounted workboard faucet
2. 8" (203mm) centers
3. Dual hole (hot and cold)
4. Swing nozzle with 12" (305mm) length
5. Body: 304 stainless steel



P-0305

1. Deck mounted pantry faucet
2. Single hole, single temperature (cold)
3. Gooseneck with 8" (203 mm) length
4. Body: 304 stainless steel



P-0206-10

P-0206-12

1. Deck mounted pantry faucet
2. Single hole, single temperature (cold)
3. 10" (254mm) / 12" (305mm) swing nozzle
4. Body: 304 stainless steel

POT FILLER FAUCETS



P-0320

1. Deck mounted workboard faucet
2. 8" (203mm) centers
3. Double hole (hot and cold)
4. Gooseneck with 6" (152 mm) length
5. Body: 304 stainless steel



P-0590

1. Deck Mounted Pot Filler Faucet
2. Single hole, single temperature
3. G1/2" male inlet
4. 18" (458 mm) double-joint nozzle
5. Heat-resistant on-off volume control
6. grip on nozzle end
7. Tailpiece and nut for connection included
8. Other sizes / lengths available



ECONOMICAL FAUCETS



P-0305-6-ECO

P-0305-8-ECO

1. Deck mounted pantry faucet
2. Single hole, single temperature (cold)
3. Chrome plated brass body
4. Gooseneck 6" (152mm) / 8" (203 mm) length in S/S 304
5. Lever handle



P-0206-10-ECO

P-0206-12-ECO

1. Deck mounted pantry faucet
2. Single hole, single temperature (cold)
3. Chrome plated brass body
4. 10" (254mm) / 12" (305mm) swing nozzle in S/S 304
5. Lever handle



P-0221-10-ECO

P-0221-12-ECO

1. Deck mounted workboard faucet
2. 8" (203mm) centers
3. Double hole (hot and cold)
4. Chrome plated brass body
5. 10" (254mm) / 12" (305mm) swing nozzle in S/S 304



P-0201-10-ECO

P-0201-12-ECO

1. Deck mounted pantry faucet
2. Single hole, Hot & cold water
3. Chrome plated brass body
4. 10" (254mm) / 12" (305mm) swing nozzle in S/S 304
5. Lever handle

**STILL POWERLINE DURABLE, MORE AFFORDABLE
WARRANTY 1 YEAR**

www.powerlineequip.com



P-GFP-1

Pedestal Glass Filler

1. Push-back arm (translucent blue) with instant shut-off.
2. Built-in volume regulator and adjustable mounting flange.
3. 8" (203mm) height from flange base to water outlet.
4. 1/2" IPS male shank, 2" in length.



P-WS-1

Water Station

1. Large 10-1/2" x 12-1/2" (267mm x 318mm) surface area.
2. Constructed from heavy-duty one-piece 18-gauge stainless steel (custom heights available).
3. Push-back style with 8" (203mm) clearance from pan to tip.
4. Features a 2-1/4" diameter grid drain to prevent splashing.
5. Includes a 1-1/4" x 4" long, 17-gauge tailpiece for waste connection.
6. Coupling nut and 1/4" sweat tailpiece for copper tubing.



P-DW-F

Dipperwell Faucet and Bowl

1. Sanitizes ice cream scoops and paddles.
2. Faucet Dimensions:
 - 5-3/4" total height
 - 1-3/8" height above table
 - 1/16" solder inlet
3. Stainless steel construction; sits flush with counter.
4. 4" (102mm) length of 1-1/2" (38mm) brass tubing for drainage.
5. Designed for rapid, easy flow.



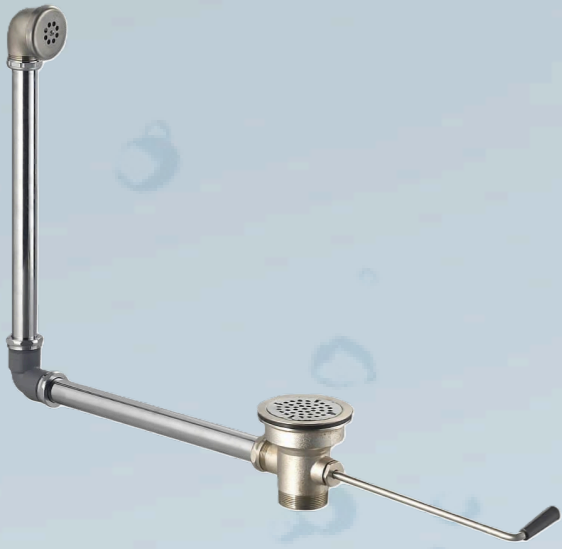
P-GR1

Glass Rinser

1. High-pressure Glass Rinser
2. Pan Dimensions: 176 x 162 x 62D mm
3. Cut out Dimensions: 156 x 142 mm
4. Made of thick 304 stainless steel G1/2"
5. Brass threaded inlet with fittings
6. Hose barb outlet



WASTE DRAIN



P-WDO-1

1. Outlet Material: Bright nickel plated cast bronze body, stainless steel face flange.
2. Strainer and handle; Neoprene head gasket
3. Outlet 2" supplied with adaptor to 1.5"
4. Sink Opening: 89mm (3-1/2")
5. Face Flange Diameter: 114mm (4-1/2")
6. Handle Length: 305mm (12")
7. With overflow



P-WD-1

1. Outlet Material: Bright nickel plated cast bronze body, stainless steel face flange.
2. Strainer and handle; Neoprene head gasket
3. Outlet 2" supplied with adaptor to 1.5"
4. Sink Opening: 89mm (3-1/2")
5. Face Flange Diameter: 114mm (4-1/2")
6. Handle Length: 305mm (12")
7. Without overflow



PHRC-SS-18-Q

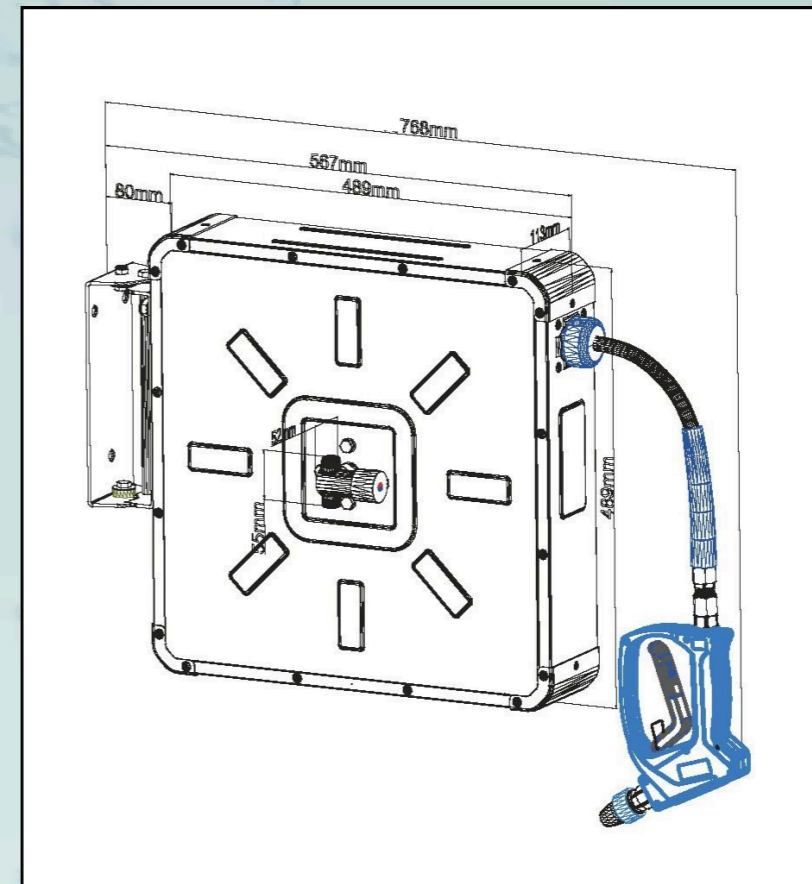
STAINLESS STEEL SQUARE
ENCLOSED TYPE (18 METERS)

PHRC-SS-15-Q

STAINLESS STEEL SQUARE
ENCLOSED TYPE (15 METERS)

Specifications

- Stainless steel hose reel, square, close with spray valve
- 304 stainless steel inlet shaft
- The water gun has a 304 stainless steel joint that rotates 360°
- Spray gun with hand protector and adjustable nozzle, allowing fine spray to a powerful jet stream
- Non-marking hose with grade 70 steel wire withstands pressure up to 60MPa (600bar)
- Hose: inner diameter 10mm / outer diameter 16.5 mm

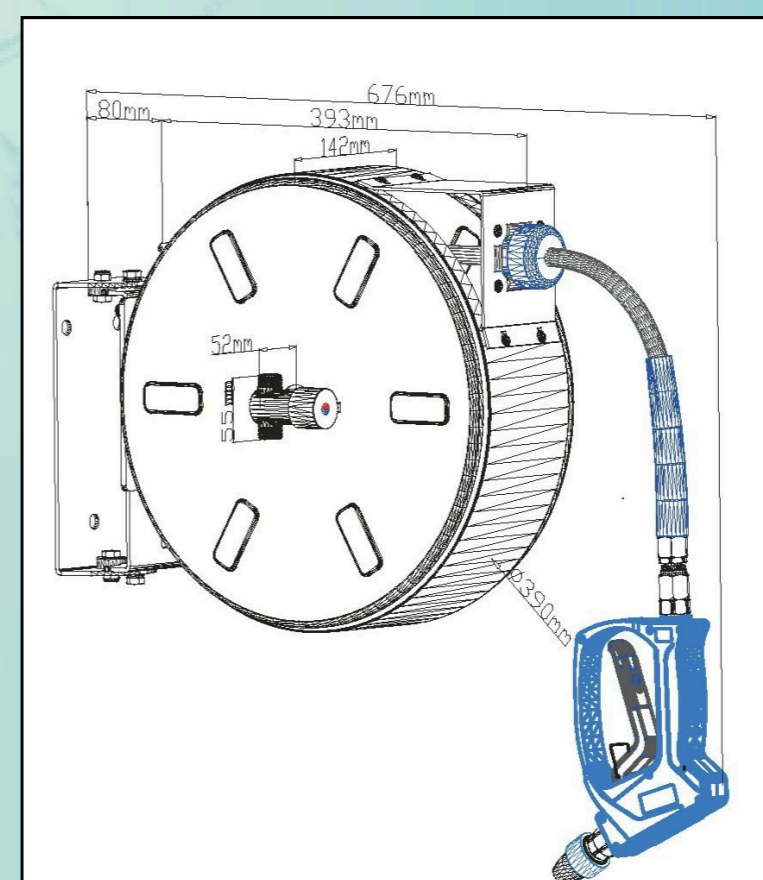


PHRC-SS-10

STAINLESS STEEL ROUND
ENCLOSED TYPE (10 METERS)

Specifications

- Stainless steel hose reel, round, close with spray valve
- 304 stainless steel inlet shaft
- The water gun has a 304 stainless steel joint that rotates 360°
- Spray gun with hand protector and adjustable nozzle, allowing fine spray to a powerful jet stream
- Non-marking hose with grade 70 steel wire withstands pressure up to 60MPa (600bar)
- Hose: inner diameter 10mm / outer diameter 16.5mm



PHRC-E2-18-Q

EPOXY COATED SQUARE ENCLOSED
TYPE (18 METERS, BLUE)

PHRC-E2-15-Q

EPOXY COATED SQUARE ENCLOSED
TYPE (15 METERS, BLUE)

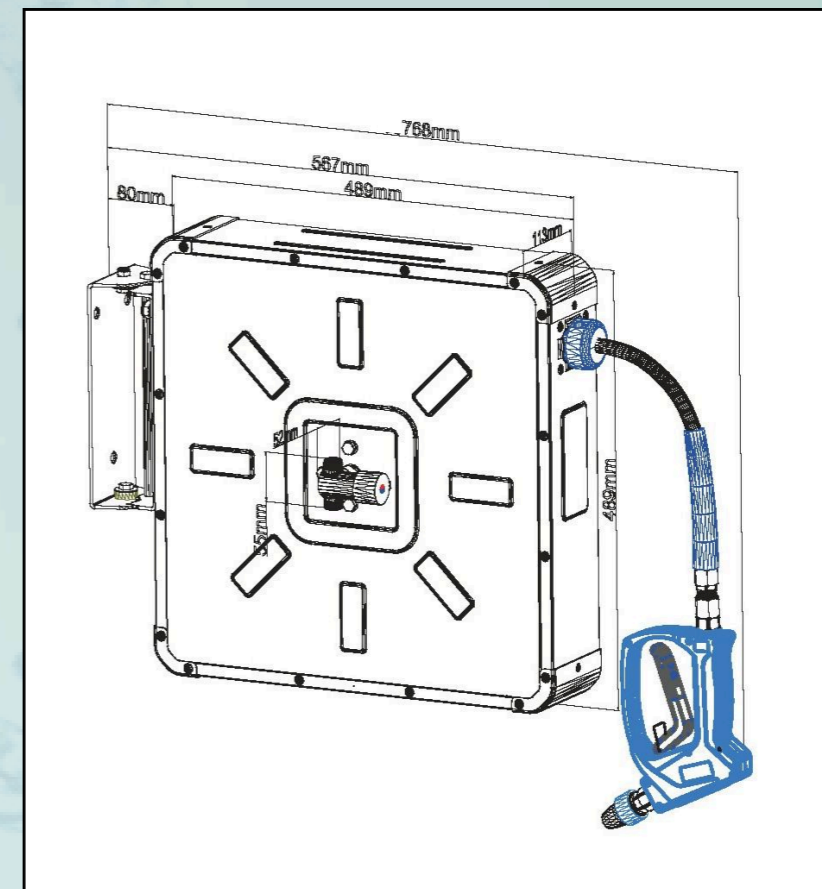
PHRC-E2-10-Q

EPOXY COATED SQUARE ENCLOSED
TYPE (10 METERS, BLUE)



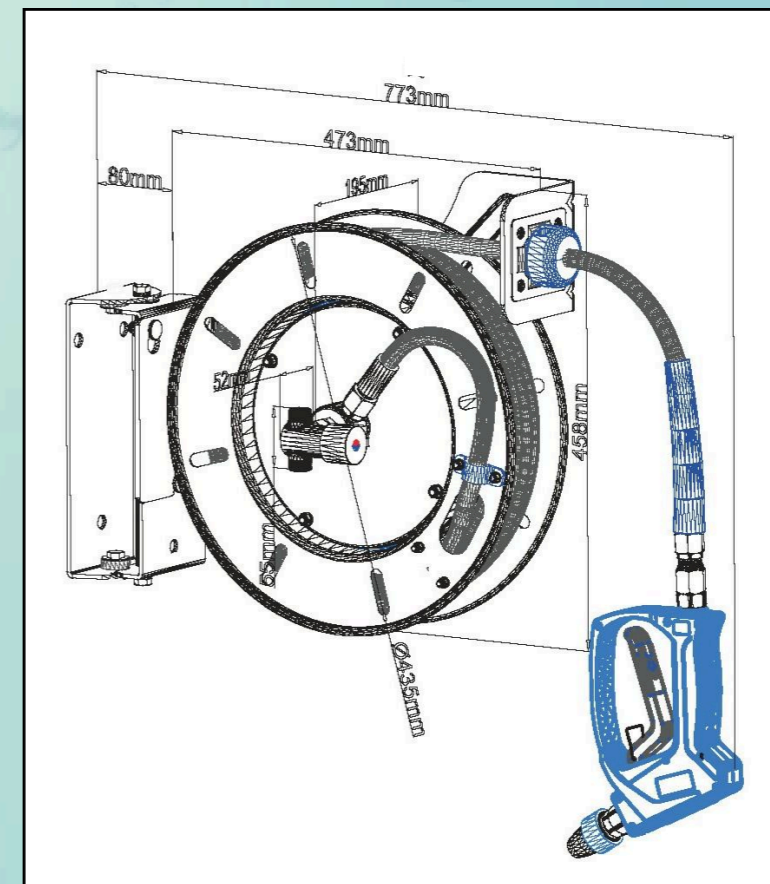
Specifications

- Epoxy coated carbon steel hose reel, square, close with spray valve
- 304 stainless steel inlet shaft
- The water gun has a 304 stainless steel joint that rotates 360°
- Spray gun with hand protector and adjustable nozzle, allowing fine spray to a powerful jet stream
- Non-marking hose with grade 70 steel wire withstands pressure up to 60MPa (600bar)
- Hose: inner diameter 10mm / outer diameter 16.5 mm



Specifications

- Stainless steel hose reel, round, open with spray valve
- 304 stainless steel inlet shaft
- The water gun has a 304 stainless steel joint that rotates 360°
- Spray gun with hand protector and adjustable nozzle, allowing fine spray to a powerful jet stream
- Non-marking hose with grade 70 steel wire withstands pressure up to 60MPa (600bar)
- Hose: inner diameter 10mm / outer diameter 16.5mm



PHRO-SS-18

STAINLESS STEEL ROUND
OPEN TYPE (18 METERS)

PHRO-SS-15

STAINLESS STEEL ROUND
OPEN TYPE (15 METERS)

PHRO-SS-10

STAINLESS STEEL ROUND
OPEN TYPE (10 METERS)



PHRO-E3-18

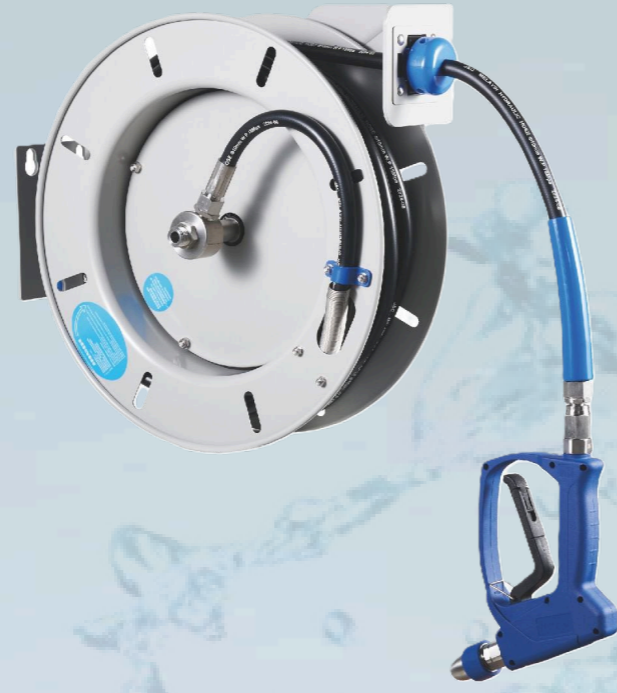
EPOXY COATED ROUND OPEN TYPE (18 METERS, GREY)

PHRO-E3-15

EPOXY COATED ROUND OPEN TYPE (15 METERS, GREY)

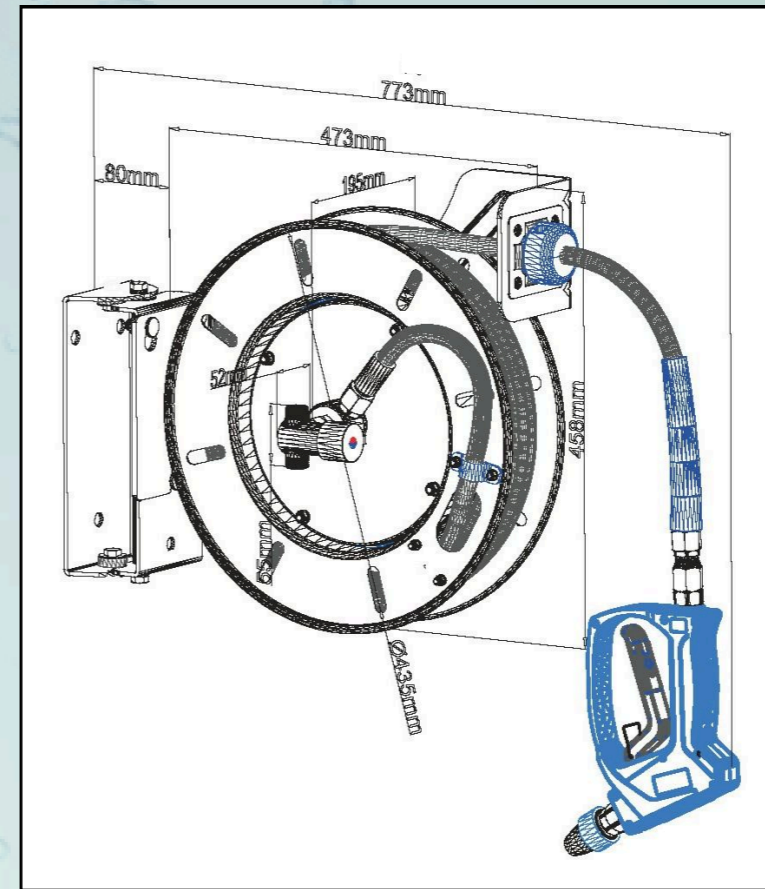
PHRO-E3-10

EPOXY COATED ROUND OPEN TYPE (10 METERS, GREY)



Specifications

- Epoxy coated carbon steel hose reel, round, open with spray valve
- 304 stainless steel inlet shaft
- The water gun has a 304 stainless steel joint that rotates 360°
- Spray gun with hand protector and adjustable nozzle, allowing fine spray to a powerful jet stream
- Non-marking hose with grade 70 steel wire withstands pressure up to 60MPa (600bar)
- Hose: inner diameter 10mm / outer diameter 16.5mm



PHRO-E2-10

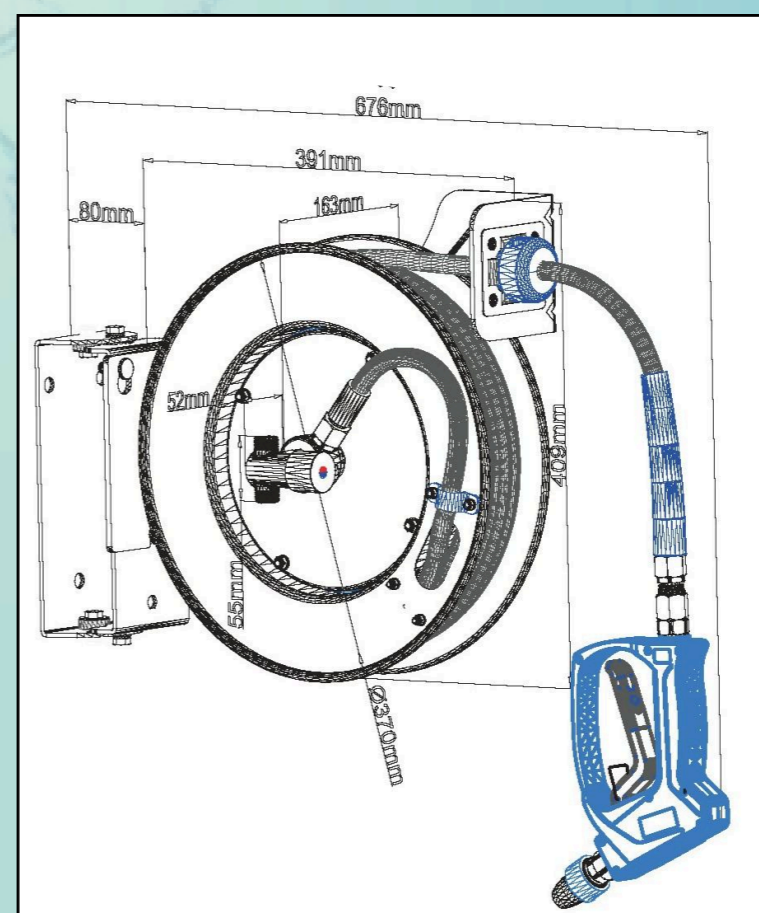
EPOXY COATED ROUND OPEN TYPE (BLUE)

Specifications

- Epoxy coated carbon steel hose reel, round 10 meters, open with spray valve
- 304 stainless steel inlet shaft
- The water gun has a 360° rotating 304 stainless steel joint
- Spray gun with hand protector and adjustable nozzle, allowing fine spray to a powerful jet stream
- Non-marking hose with grade 70 steel wire withstands pressure up to 60MPa (600bar)
- Hose: inner diameter 10mm / outer diameter 16.5mm

PHRO-E1-10

EPOXY COATED ROUND OPEN TYPE (BLACK)





HIGH QUALITY, HIGH VALUE EQUIPMENT SINCE 1993

Visit us:



Sales & Service Center

POWERLINE EQUIPMENT COMPANY

B-2-11, Jalan SS 25/22
Taman Mayang, 47301 Petaling Jaya
Selangor, Malaysia

Tel: +603-7880 5758

www.powerlineequip.com

Email us:

